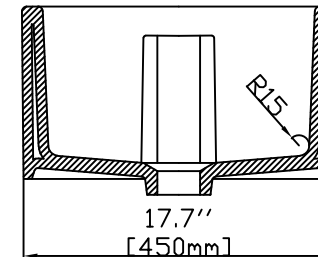
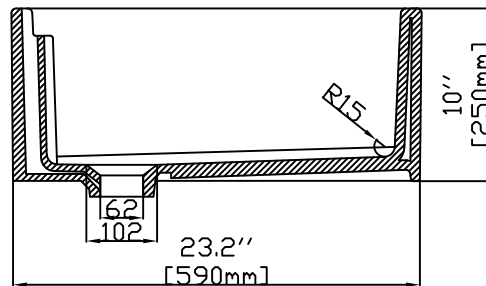
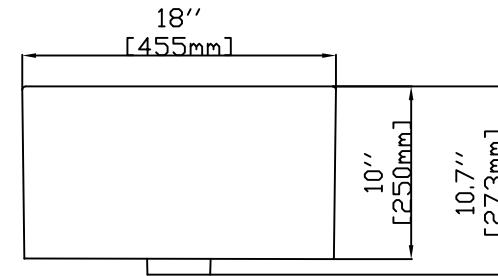
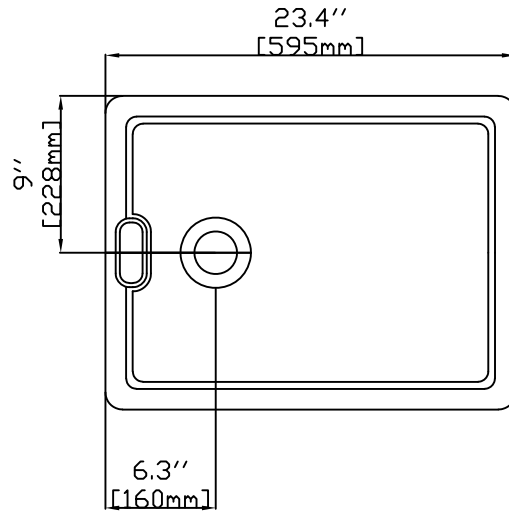


TECHNICAL DRAWING /
TEKNİK ÇİZİM



SIZE :23.4x18 inc
600x490 mm

DESCRIPTION: BELFAST CLASSIC 60

TOLERANCE: 100 mm \pm 1 %